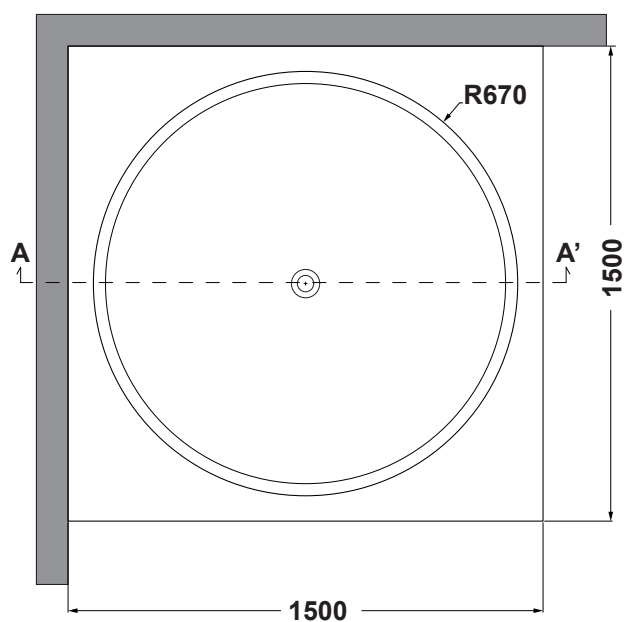


VASCA IN ACRILICO 150X150

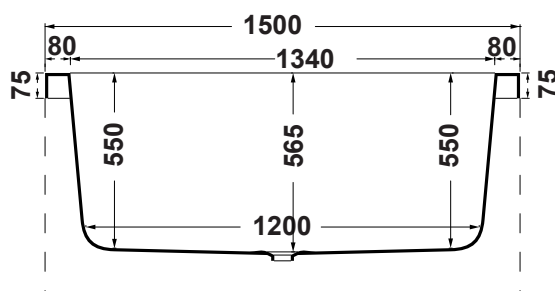
ACRYLIC BATHTUB 150X150

DATI TECNICI

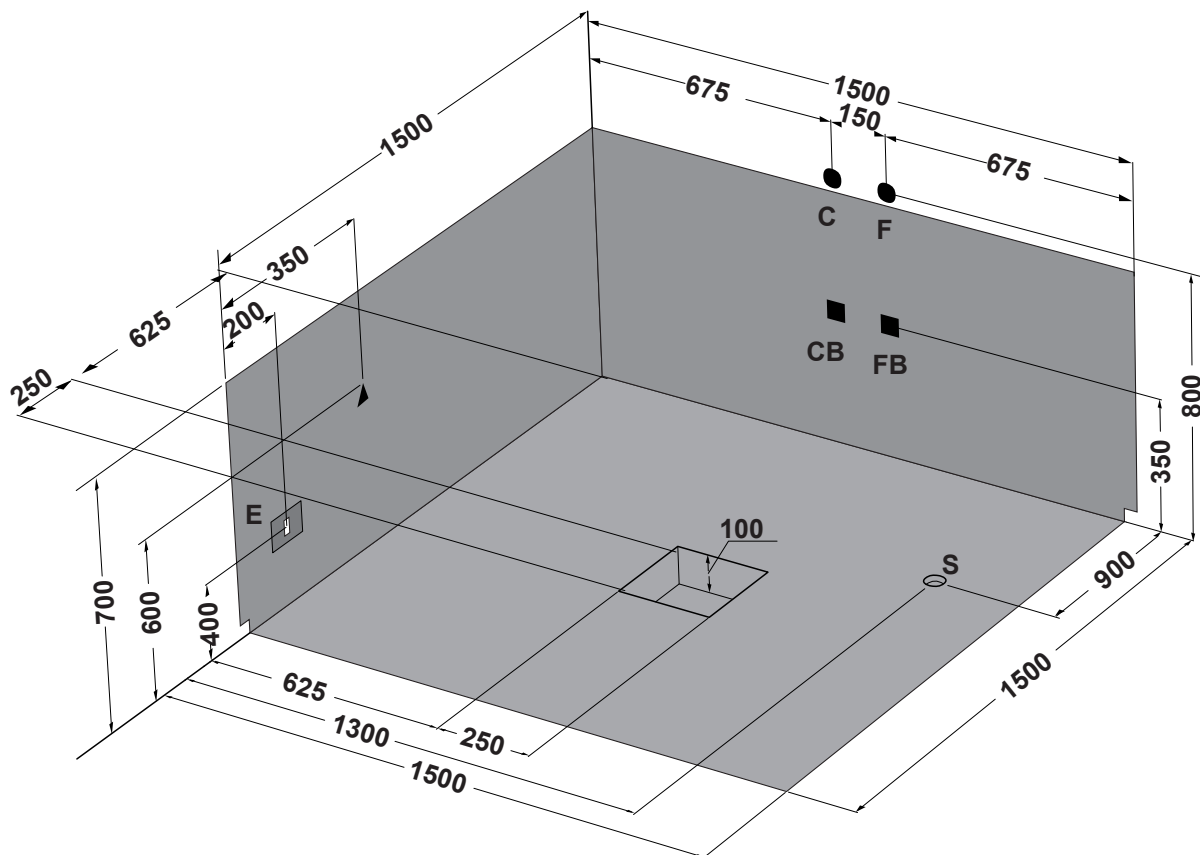
TECHNICAL INFO



Vista in pianta
plan view



Sezione A/A'
Section A/A'



Ingombro vasca proiettato nel muro

Bath overall dimensions as projected on the wall

VASCA IN ACRILICO 150X150

DATI TECNICI

ACRYLIC BATHTUB 150X150

TECHNICAL INFO

I	CARATTERISTICHE IDRAULICHE	*CARATTERISTICHE ELETTRICHE	REQUISITI DI PREINSTALLAZIONE	COMBINAZIONI RUBINETTERIA
N.B. L'INSTALLAZIONE DEVE AVVENIRE A PAVIMENTO E PARETI FINITE Peso netto: Kg 92 Peso spedizione: Kg 97 Volume spedizione: m3 = 0,777 Contenuto acqua: Lt 650	Numero jets: 16	V HZ KW A 220/240 50/60 0.78 4.5	C : Allaccio acqua calda rubinetteria parete: 1/2" F : Allaccio acqua fredda rubinetteria parete: 1/2" CB : Allaccio acqua calda bordo vasca: 1/2" FB : Allaccio acqua fredda bordo vasca: 1/2" S : Allaccio scarico incassato a pavimento: 1-1/2" E : Allaccio elettrico idromassaggio: IPX5	C F : Rubinetteria parete ● ● CFT : Rubinetteria parete con erogazione troppopieno ● ● ● ●
	jets airpool : 18	ELETTRO POMPA AIRPOOL V HZ KW A 220/230 50/60 0.65 3		CB BF : Rubinetteria bordo vasca ■ ■
GB	WATER SYSTEM SPECIFICATION	*POWER SYSTEM SPECIFICATION	CONDITION REQUIRED BEFORE THE INSTALLATION	TAPS COMBINATION
N.B. THE INSTALLATION MUST BE CARRIED OUT WITH FLOOR AND WALLS ALRESDY TILED Net weight: Kg 92 total weight with package: Kg 97 Volume with package: m3 = 0,777 Water capacity: Lt 650	Numero jets: 16	V HZ KW A 220/240 50/60 0.78 4.5	C : Wall taps outlet for hot water: 1/2" F : Wall taps outlet for cold water: 1/2" CB : Bath edge taps outlet for hot water: 1/2" FB : Bath edge taps outlet for cold water: 1/2" S : Drainage outlet installed in the floor: 1-1/2" E : Power outlet for the wirpool: IPX5	C F : Wall taps ● ● CFT : Wall taps with water supply by overflowing ● ● ● ●
	jets airpool : 18	ELECTRO PUMP AIRPOOL V HZ KW A 220/230 50/60 0.65 3		CB BF : Bath edge taps ■ ■
F	WATER SYSTEM SPECIFICATION	POWER SYSTEM SPECIFICATION	CONDITION REQUIRED BEFORE THE INSTALLATION	TAPS COMBINATION
N.B. THE INSTALLATION MUST BE CARRIED OUT WITH FLOOR AND WALLS ALRESDY TILED Net weight: Kg 92 total weight with package: Kg 97 Volume with package: m3 = 0,777 Water capacity: Lt 650	Numero jets: 16	V HZ KW A 220/240 50/60 0.78 4.5	C : Wall taps outlet for hot water: 1/2" F : Wall taps outlet for cold water: 1/2" CB : Bath edge taps outlet for hot water: 1/2" FB : Bath edge taps outlet for cold water: 1/2" S : Drainage outlet installed in the floor: 1-1/2" E : Power outlet for the wirpool: IPX5	C F : Wall taps ● ● CFT : Wall taps with water supply by overflowing ● ● ● ●
	jets airpool : 18	ELECTRO PUMP AIRPOOL V HZ KW A 220/230 50/60 0.65 3		CB BF : Bath edge taps ■ ■

* I valori raddoppiano se vengono azionate le due pompe dell' idromassaggio

* The values double when the wirpool's two pumps are activated